



曾 泉 江 鐵 器 廠  
**CHAN CHUAN CHANG METAL WORKS**

BLOCK 5055, ANG MO KIO INDUSTRIAL PARK 2, #01-1141,  
SINGAPORE 569558 TEL : 64817736 FAX : 64813517  
Email: sales@ccc.com.sg Website: http://www.ccc.com.sg  
Reg. No. 204949/00M



# JET DIFFUSERS



**Brand : CCC**

**Air Diffusion Equipment**

**JET DIFFUSERS**

**Series : CCC-JD**

## CHAN CHUAN CHANG METAL WORKS



### VISION

“To produce high quality products, high standard of creativity in design and excellent credibility in reputation”

### MISSION

“Serve customer with satisfactory and reliable works and products”

Chan Chuan Chang Metal Works was established in 1975, committed to the vision to manufacture good quality Air Diffusion Equipment. After building up its reputation in the industry as a top manufacturer, the company registered the logo with the Registry of Trade and Patents (Singapore). From then onwards, all equipment which has the trade mark symbolise our commitment to serve our customer with satisfactory and reliable works and products.


Our products have been tested by VIPAC, testing laboratory at Victorian technology Centre, Port Melbourne, Victoria. Furthermore, the results are NATA Certified (National Association of Testing Authorities, Australia) to ADC 10623 R3 (Air Diffusion Council, USA) and are officially endorsed in countries which are signatories to the I.L.A.C agreement-namely, Australia, New Zealand, Britain, USA and Malaysia.

We were proud to introduce the **Heavy Duty Aluminium Computer Floor Grille**, Series : CR to the industry in 1991. This has been a breakthrough as the grille are able to provide adequate air flow whilst maintaining the weight of any person or equipment. This is verified by the Comprehensive Loading Test performed by Singapore Institute of Standard & Industrial Research (SISIR), currently known as Spring Singapore. Series : CR has since then been installed in many computer rooms, wafer manufacturing plant and places which require the product.



### COMPANY MILESTONE

**1975** Established with the vision to manufacture high quality Air Diffusion Equipment to meet future needs and demands. Together with a team of experienced Engineers & Craftsman dedicated to Chan Chuan Chang's Motto – Commitment, Creativity & Credibility, we produced good quality products with high standard of creativity in design and maintained excellent credibility in reputation.

**1982** Registered with the Registry of Trade and Patents (Singapore), CCC Trade Mark  has since become a household name in its industry.

**1986** Chan Chuan Chang (CCC) products are tested by VIPAC, a testing laboratory at Victorian Technology Centre, Port Melbourne, Victoria. These results are NATA Certified (National Association of Testing Authorities, Australia) to ADC 10623 R3 (Air Diffusion Council, USA) and are officially endorsed in countries which are signatories to the I.L.A.C agreement – namely, Australia, New Zealand, Britain, USA and Malaysia.

**1991** CCC Aluminium Computer Floor Air Grille was sent for Comprehensive Loading Test conducted by Singapore Institute of Standard & Industrial Research (SISIR) and achieved excellent results.

**1997** CCC was awarded ISO 9002 Certification. Our impressive list of satisfied clients is testimony to CCC's motto – Commitment, Creativity and Credibility.

**2005** CCC has improved its quality management system with respect to the ISO 9001:2000 standard due to our commitment towards quality improvement in our products and customer satisfaction. We thank you for your faith and support in our products. We will continue to strive harder to exceed your demand & satisfaction.

**2012** CCC was awarded ISO 9001:2008 Certification by BVQI Accreditation. CCC also became a certified member of Air Movement and Control Association International (AMCA). Our Low Leakage dampers were tested according to AMCA standards and received certifications.

## CCC-JD



### Application

- CCC Jet Diffusers are commonly used in large halls with high ceiling, such as the airports, exhibition halls, indoor sports centres, theatres, concert halls, museum, shopping centres and industrial areas.
- Designed for areas that has high airflow capacity and requires long throw.
- This series can be wall or exposed duct mounted

### Description

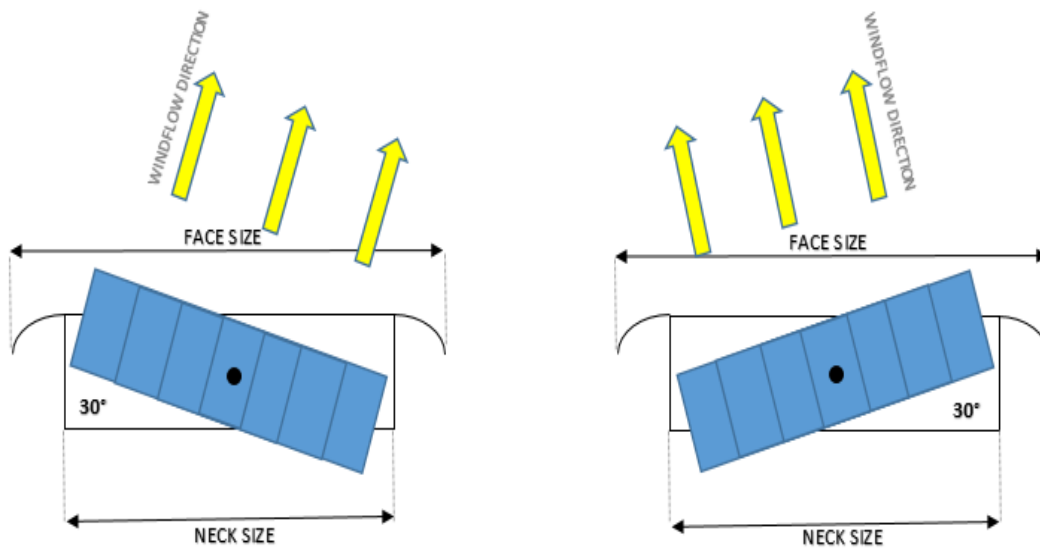
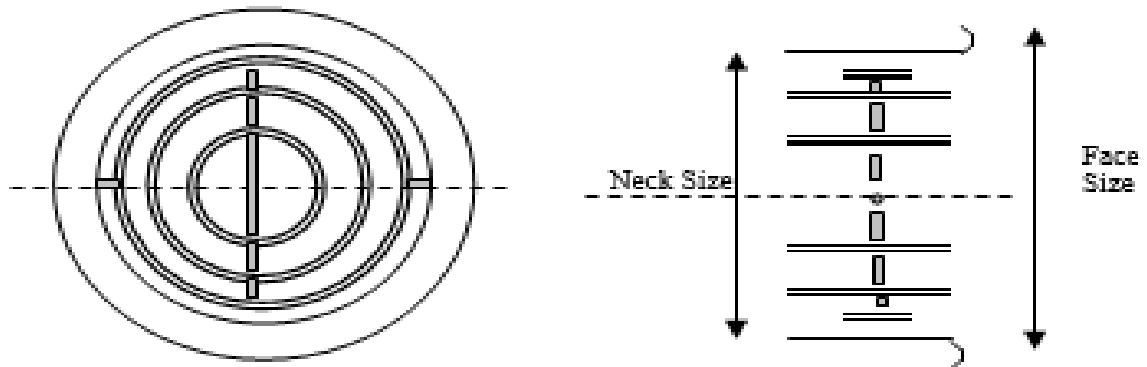
CCC Jet Diffusers are constructed with high quality aluminium sections with white powder coating finishing.

The aerodynamic design of the diffuser are able to give a long throw even at high outlet velocities and reduce noise levels.

The Jet Diffusers are designed for use in large and high area ceiling area that requires long throw such as airports, exhibition halls, sport centres, concert halls, theatres, museum and shopping centres.

The jet blade can be adjusted over 360 degrees to give several pattern of airflow to facilitate your requirement.

## Design



Available sizes are as follows:

Type	Face Size (mm)	Neck Size (mm)
1	185	139
2	240	190
3	305	241
4	364	290
5	423	341

## Performance Data

Type	Air Velocity	2m/s	3m/s	4m/s	5m/s	6m/s	7m/s	8m/s	10m/s
	<b>Pressure drop (mmAq)</b>	0.7	1.5	1.7	2.5	3.2	4.8	6.6	8.6
1	<b>Airflow rate (cmh)</b>	130	196	262	328	393	460	525	655
	<b>Throw (m)</b>	2.6	4.0	5.5	6.8	8.2	9.6	11.0	15.2
	<b>Noise Criteria</b>	11	16	20	22	25	28	30	32
2	<b>Airflow rate (cmh)</b>	233	350	467	583	700	816	933	1166
	<b>Throw (m)</b>	3.8	5.6	7.4	9.2	11.0	13.0	14.7	20.5
	<b>Noise Criteria</b>	16	19	23	28	31	39	43	45
3	<b>Airflow rate (cmh)</b>	365	548	730	913	1095	1280	1460	1825
	<b>Throw (m)</b>	4.6	7.0	9.5	11.6	13.8	16.2	18.5	25.4
	<b>Noise Criteria</b>	14	18	22	26	31	35	40	43
4	<b>Airflow rate (cmh)</b>	526	790	1052	1315	1580	1842	2105	2632
	<b>Throw (m)</b>	5.6	8.4	11.2	14.0	16.8	19.5	22.2	31.0
	<b>Noise Criteria</b>	15	17	22	27	36	40	43	46
5	<b>Airflow rate (cmh)</b>	705	1057	1410	1762	2115	2467	2820	3525
	<b>Throw (m)</b>	6.5	9.6	13.0	16.3	19.5	22.6	25.6	32.5
	<b>Noise Criteria</b>	16	23	27	32	38	42	45	51

Noise Criteria based on 8db room absorption